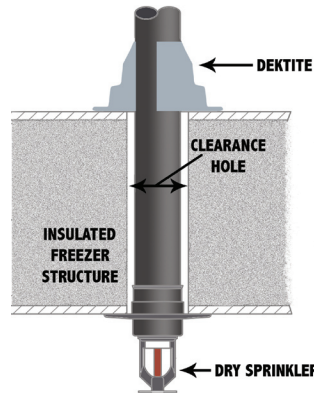


DEKTITE® PIPE FLASHING



Application



STAY UP TO CODE!
with a quicker, more efficient way to flash your refrigeration/freezer units.

Product Features

- Complies with NFPA 13 Code Changes.
- Flashing for dry pendant sprinklers subject to extreme temperature changes.
- One piece construction is easy to install.
- Pipe diameter markings ensure accurate fit.
- EPDM temperature range of -65°F to +250°F.

Part Number	Description	Pipe Outside Diameter	Dektite Base Diameter	Dektite Height	Box Qty
4001910	Mini	1/4" - 1-1/8"	3-1/2"	1-3/4"	20
4003910	1	1/4" - 2"	4-3/4"	3"	10
4004910	2	1-3/4" - 3-1/4"	6-1/4"	4"	10

SPEEDY POLE TOOL™ & UNIVERSAL SOCKET KIT

Universal Pole Tool Socket Kit (8129910) Includes:



- Adaptor Plug (a)
 - Socket Driver for SAMMYS (b)
 - Socket Driver for Ceiling Wire Screws (c)
 - Socket Driver for 1/4" Standard Nut Drivers (d)
 - Stuf Plug for Viper or Ladd Powder Actuated Attachment (e)
- (Items not sold separately)

Watch a video demonstration at www.itwbuildex.com

Product Features

- The Pole Tool and Universal Socket Kit provide easy and safe installation for:
 - Sammys
 - Threaded Rod
 - Pencil Rod
 - Ceiling Screws
 - Jack Chain
 - Wire
 - Screws
- Ideal for retrofit and hard-to-reach projects in wood and steel.

Part Number	Description	Box Qty
8123910	Pole Tool 6' (3' - 6')	1
8124910	Pole Tool 12' (4' - 12')	1
8125910	Pole Tool 18' (6' - 18')	1
8126910	Pole Tool 24' (8' - 24')	1
Speedy Pole Tool Installation (specify choice when ordering pole tool)		
8127910	Sammys Socket Driver	1
8128910	Ceiling Wire Socket Driver for wire and chain	1
8129910	Universal Pole Tool Socket Kit	1

SPOT-RITE LEVEL™



Part Number	Model	Ea. Qty
8130910	Spot Rite Level	1

Product Features

- 1/2", 3/4", and 1" threading
- Magnetic strip for ease of use
- Pocket Sized
- Lightweight
- 3-vial design for measurement of 0°, 45°, and 90° angles